

## Quick Facts

# DISH 1000.4

*Pre-release—for internal use only.*

### INTRODUCTION

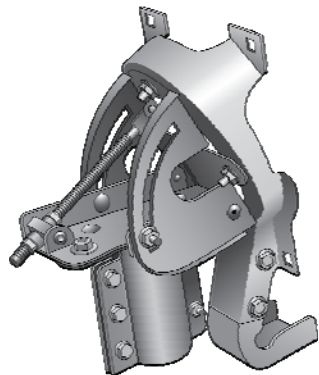
- Dish antenna designed to provide a single-dish HD solution to Eastern US.
- Capable of providing signal from 61.5°W, 72.7°W, and 77°W<sup>1</sup>.
- Uses DISH Pro Plus 1000.4 LNB.
- Includes enhanced peaking controls for easier installation and fine-tuning of setup.



DISH 1000.4



DP Plus 1000.4 LNB



DISH 1000.4 Backing Structure

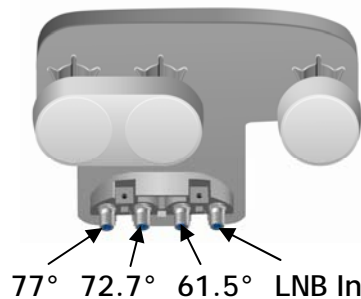
<sup>1</sup>Signal from 77°W may not be available at launch.

### FEATURES

- Dish antenna designed for use in the Eastern half of the US supporting reception of 61.5°W, 72.7°W, and 77°W<sup>1</sup>.
- Uses the same mast and foot as DISH 500+.
- LNB Bracket and DPP 1000.4 LNB include a “keying” feature that ensure only DISH 1000.4 Antenna parts are used together.
- Enhanced peaking controls provide the ability to perform a rough peak of the dish, and then fine tune the alignment to maximize signal.
  - Azimuth plate and cam provides for fine-tuning of the azimuth angle.
  - Elevation rod provides for fine-tuning of the elevation angle, as well as additional stability.


### DP PLUS 1000.4 LNB

- Only used on the DISH 1000.4 or DISH 500+ to DISH 1000.4 Conversion Kit.
- Three receiver output ports support direct connection to either three single-tuner receivers or three DISH Pro Plus (dual-tuner) receivers (when used with a DP Plus Separator) or a combination.
- Includes an LNB In port to connect a fourth orbital location.
- Default output ports of the DP Plus 1000.4 LNB are 77°W on Port 1, 72.7°W on Port 2, and 61.5 °W on Port 3.



- Compatible with only a DP Plus 44 Switch. When connected to a DPP44 Switch, the LNB IN port is disabled.

### INSTALLATION CONSIDERATIONS

- Only ViP-series DISH Network receivers that have the circled A symbol on their *Contents and Features* label should be used with the DISH 1000.4. 
- All DISH 1000.4 antenna parts are also marked with the circled A symbol.
- Connect your peaking meter to PORT 2 on the LNB, to peak on 72.7°W. After maximizing the signal received from 72.7°W confirm signal on 61.5°W.
- If your peaking meter does not output at least 600 mAmps of power, connect a receiver to PORT 1 of the LNB to power the LNB while peaking.
- Cables must be routed on the outside of the mast, as the azimuth plate completely covers the mast opening.
- Nuts and bolts on the dish that should be tightened with a torque wrench to the torque values indicated in the *Installation Instructions* are indicated by a “T” marking, and should be tightened in the following order:
  - Mast Clamp
  - Elevation Nuts
  - Azimuth Bolts
- When tightening the Azimuth bolts, do *not* tighten the azimuth cam.

### FOR MORE INFORMATION

- *DISH 1000.4 Installation Instructions*
- *2008 DISH Network Installation Reference Handbook*